

PFA lined CAMLOCK DC with safety arms

TYPE PLSDC

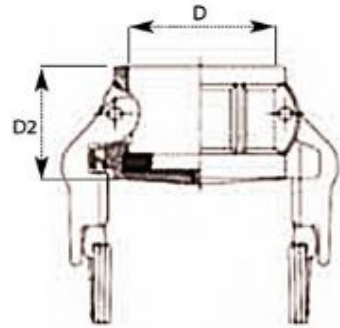
CAMLOCK DC WITH 2 automatic safety lock CAM arms

Fitting standard: A-A-59326/DIN 2828

FEP or PTFE liners are available.

Virgin and anti-static liners are available.

Remark: Can be customized.



Part no.	Fitting Material	Size	D±0.1 mm	D2 min mm
PLSDC019S6	SS316+PFA	3/4"	32.0	33.0
PLSDC025S6	SS316+PFA	1"	37.0	40.0
PLSDC032S6	SS316+PFA	1-1/4"	46.0	46.0
PLSDC038S6	SS316+PFA	1-1/2"	54.0	46.0
PLSDC050S6	SS316+PFA	2"	64.0	49.0
PLSDC063S6	SS316+PFA	2-1/2"	77.0	51.0
PLSDC076S6	SS316+PFA	3"	92.2	56.0
PLSDC102S6	SS316+PFA	4"	120.0	56.0