

## PFA lined DIN female fitting with smooth hose shank without nut

### TYPE PLDF

Female fitting with smooth hose shank without nut

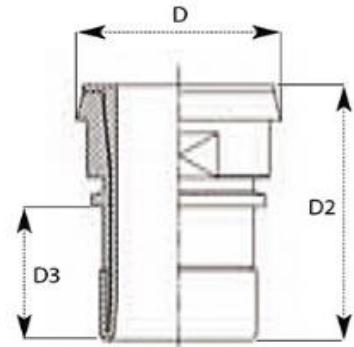
Fitting standard: DIN11851

**Assembly:** safety clamp

FEP or PTFE liners are available.

Virgin and anti-static liners are available.

**Remark:** Can be customized.



| Part no.  | Fitting material | Size   | For hose<br>mm | D±0.1<br>mm | D2 min<br>mm | D3 min<br>mm |
|-----------|------------------|--------|----------------|-------------|--------------|--------------|
| PLDF019S6 | SS316+PFA        | 3/4"   | 19             | 36.0        | 68.0         | 34.0         |
| PLDF025S6 | SS316+PFA        | 1"     | 25             | 44.0        | 70.0         | 34.0         |
| PLDF032S6 | SS316+PFA        | 1-1/4" | 32             | 50.0        | 70.0         | 34.0         |
| PLDF038S6 | SS316+PFA        | 1-1/2" | 38             | 56.0        | 70.0         | 34.0         |
| PLDF050S6 | SS316+PFA        | 2"     | 50             | 68.0        | 78.0         | 40.0         |
| PLDF063S6 | SS316+PFA        | 2-1/2" | 63             | 86.0        | 103.0        | 52.0         |
| PLDF075S6 | SS316+PFA        | 3"     | 75             | 100.0       | 121.0        | 56.0         |
| PLDF100S6 | SS316+PFA        | 4"     | 100            | 121.0       | 140.0        | 80.5         |